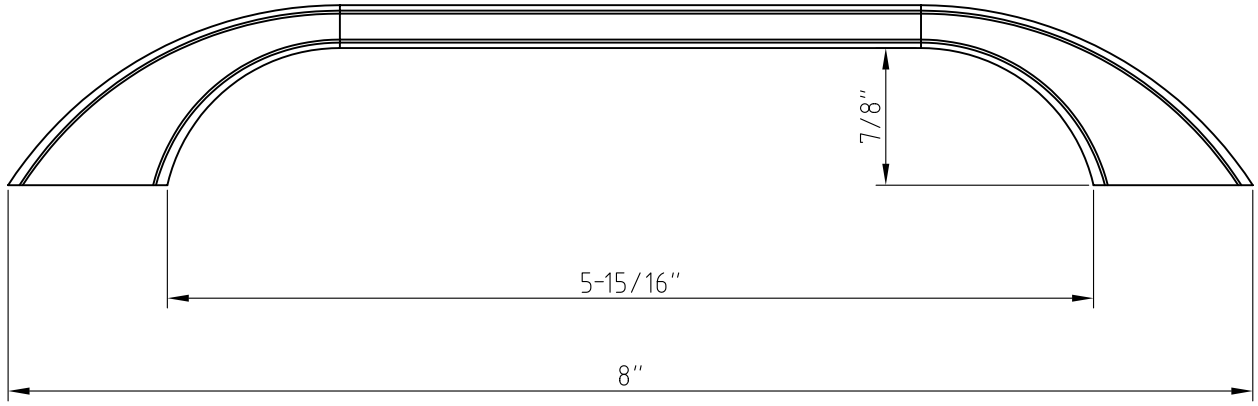


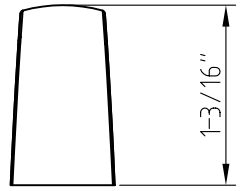
160MM



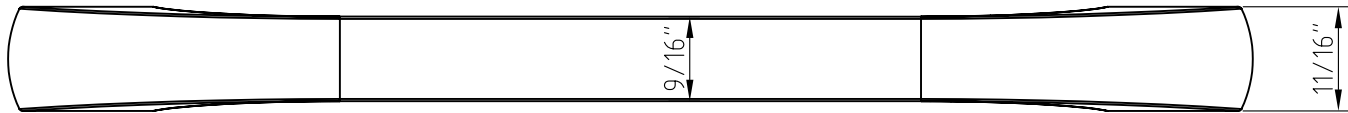
7/8"

5-15/16"

8"



1-3/16"



9/16"

11/16"

<b>hardware resources</b> 4319 MARLENA ST, BOSSIER CITY, LA 71111 PROPRIETARY AND CONFIDENTIAL THE INFORMATION CONTAINED IN THIS DRAWING IS THE SOLE PROPERTY OF HARDWARE RESOURCES INC. ANY REPRODUCTION IN PART OR AS A WHOLE WITHOUT THE WRITTEN PERMISSION OF HARDWARE RESOURCES INC. IS PROHIBITED.	ITEM#: 4160	MATERIAL: Zinc	
	FINISH: SN	WEIGHT: g	
TOLERANCE UNLESS OTHERWISE SPECIFIED: X: MM ±0.20 X.X: MM ±0.10 X.XX: MM ±0.05 ANGULAR: ±0.5° DO NOT SCALE DRAWING	UNIT:	DRAWN BY: <i>Alan Liu</i>	DATE:
	SIZE:	CHECKED BY:	DATE:
		APPROVED BY:	DATE: