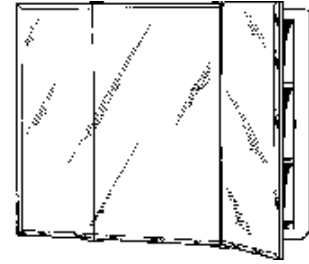


Horizon MEDICINE CABINET

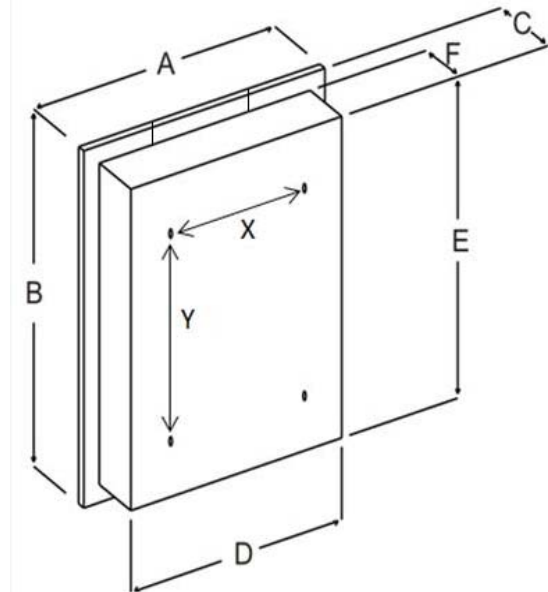


FEATURES/TYPICAL SPECIFICATIONS

- Surface Mount Installation
 - Pre-drilled mounting holes spacing: $y = 16''$ center-to-center and $x = 27.25''$ center-to-center
- Formed and welded steel housing (WB/ST)
 - 24 gauge steel construction with white, heat cured, acrylic paint finish
- Frameless mirror doors
 - $3/16''$ thick float glass mirror door front with $1/2''$ beveled edges, around perimeter of 3 assembled mirrors.
 - Center mirror door is $16''$ wide (1 typical)
 - Side mirror doors are $10''$ wide (2 typical)
 - 24 gauge steel, pan formed, door back with white, heat cured, acrylic paint finish
- 90° concealed, euro-type hinge, adjustable and self-closing with plastic and metal components (6 typical / 2 per door)
- 26 gauge galvanized steel shelves with white, heat cured, enamel paint finish (2 typical)
 - Fixed shelves — removable (FX2)
- Includes installation hardware
- Pallet Quantity = 12 units

Finishes:

Housing: PT01—Basic White
 Mirror: 1/2 BVL—1/2" Bevel Edge
 Frame: Frameless



Model #	Description	Dimensions In Inches					
		A	B	C	D	E	F
255236	MEDCAB 3DR 36X28 FMLS WB/ST	35 $\frac{3}{4}$	28-3/16	5 $\frac{1}{4}$	34 $\frac{3}{4}$	26 $\frac{3}{8}$	4 $\frac{1}{8}$

REFERENCE	QTY.	REMARKS	Project
			Location
			Architect
			Engineer
			Contractor
			Submitted by
			Date

* All models and material specifications are subject to change or withdrawal without notice.