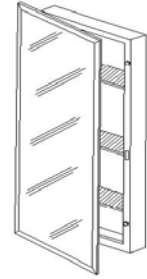


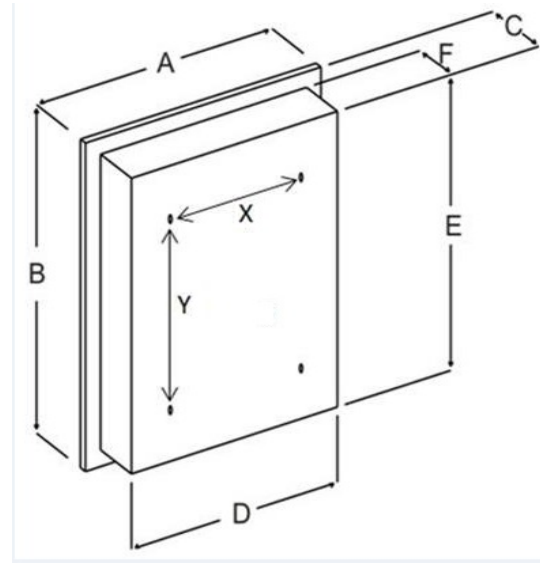
Topsider MEDICINE CABINET



FEATURES/TYPICAL SPECIFICATIONS

- Surface Mount Installation
 - Pre-drilled mounting holes spacing: $y = 11.5''$ center-to-center and $x = 11.0''$ center-to-center
- Formed and welded steel housing (WB/ST)
 - 24 gauge steel construction with white, heat cured, acrylic paint finish
- Frameless mirror door
 - $5/32''$ thick float glass mirror door front with $1/2''$ beveled edge, 4 sides
 - 26 gauge steel door back with white, heat cured, acrylic paint finish
- Reversible for left-hand or right-hand door swing
- Magnetic catch in cabinet body flange aligns to stainless steel striker plate on the door (1 typical)
- 16" piano hinge welded to the door and mechanically fastened to the cabinet body (HG01) (1 typical)
- 26 gauge galvanized steel shelves with white, heat cured, enamel paint finish (3 typical)
 - Fixed shelves — removable (FX2)
- Includes installation hardware
- Pallet Quantity = 42 units

Housing: PT01—Basic White
 Mirror: 1/2 BVL—1/2" Bevel Edge
 Frame: Frameless



| Model # | Description | Dimensions In Inches | | | | | |
|----------|-----------------------------|----------------------|----|---|-----|-----|----|
| | | A | B | C | D | E | F |
| 268P26WH | MEDCAB 1DR 16X26 FMLS WB/ST | 16 | 26 | 5 | 15½ | 25½ | 4½ |

| REFERENCE | QTY. | REMARKS | Project |
|-----------|------|---------|--------------|
| | | | Location |
| | | | Architect |
| | | | Engineer |
| | | | Contractor |
| | | | Submitted by |
| | | | Date |

* All models and material specifications are subject to change or withdrawal without notice.