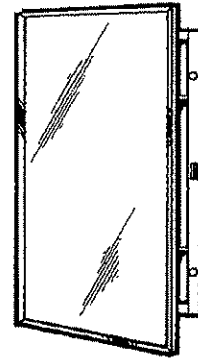


STYLELINE SERIES RECESSED MEDICINE CABINETS



Standard builder models — for recessed installation — stainless steel framed mirrored swing doors.

FEATURES

- Recessed installation for standard wall openings
- Easy to clean, one-piece, heavy-gauge drawn steel construction
- Glass mirror
- Stainless steel frame
- White baked-on paint finish
- Full piano hinge
- Adjustable steel shelves
- Reversible - for left-hand or right-hand door opening
- Includes mounting hardware

TYPICAL SPECIFICATION

Medicine cabinet shall be Broan Styleline Series Model 458, (468BC).

Recessed cabinet shall be of one-piece, heavy gauge drawn steel construction finished in white baked-on paint after forming.

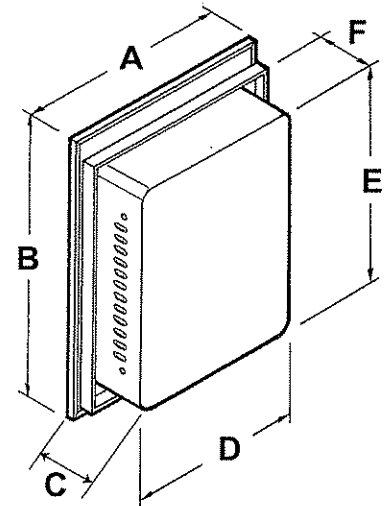
Glass mirror shall have full surround of stainless steel frame with screw closure. Door back shall be fitted tight within the frame.

Cabinet shall have full piano hinge and a magnetic door catch.

Each cabinet shall include three adjustable shelves.

Cabinet shall be reversible for left-hand or right-hand installation.

| MODEL NO. | OVERALL SIZE | | | WALL OPENING | | | # OF SHELVES |
|-----------|--------------|----|----|--------------|----|----|---------------|
| | A | B | C | D | E | F | |
| 458 | 16 | 26 | 4½ | 14 | 24 | 3½ | 3 (adj) steel |
| 468BC | 16 | 26 | 4½ | 14 | 24 | 3½ | 3 (adj) steel |



Broan-NuTone LLC, 926 West State Street, Hartford, WI 53027 (1-800-637-1453)

| REFERENCE | QTY. | REMARKS | Project |
|-----------|------|---------|--------------|
| | | | Location |
| | | | Architect |
| | | | Engineer |
| | | | Contractor |
| | | | Submitted by |
| | | | Date |