

### Styleline MEDICINE CABINET

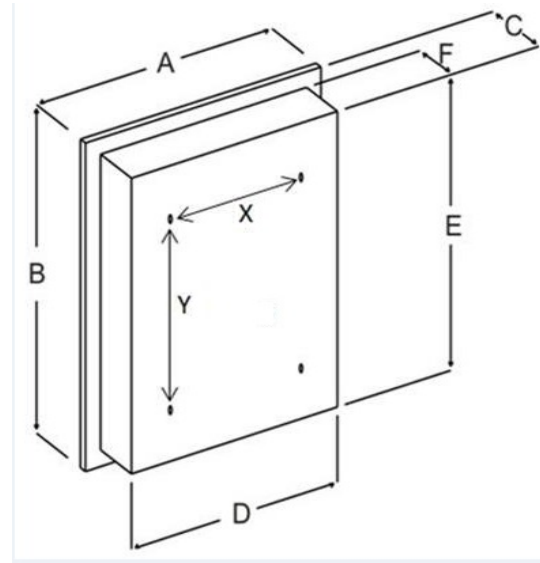


#### FEATURES/TYPICAL SPECIFICATIONS

- Surface Mount Installation
  - Pre-drilled mounting holes spacing: y = 12.500" center-to-center and x = 9.500" center-to-center
- Molded White Plastic Housing – Polystyrene (PC)
- Framed mirror door
  - Polished Stainless Steel frame (SS8)
  - 2MM thick float glass mirror door front
  - Fiberboard with white paper laminate door back
- 16" piano hinge riveted to the door and mechanically fastened to the cabinet body (HG01) (1 typical)
- Magnetic catch in cabinet body flange aligns to stainless steel striker plate on the door (1 typical)
- Reversible for left-hand or right-hand door swing
- Fixed plastic shelves molded into cabinet housing (FX) (2 typical)
- Mounting hardware included
- Pallet quantity = 36 units

#### Finishes:

Housing: PT01—Basic white  
 Mirror: Flat Mirror  
 Frame: SS8—Polished Stainless Steel



| Model # | Description             | Dimensions In Inches |                  |                 |                  |                  |                 |
|---------|-------------------------|----------------------|------------------|-----------------|------------------|------------------|-----------------|
|         |                         | A                    | B                | C               | D                | E                | F               |
| 614     | MEDCAB 1DR 16X22 SS8 PC | 16 $\frac{1}{8}$     | 22 $\frac{1}{8}$ | 4 $\frac{1}{4}$ | 15 $\frac{1}{8}$ | 19 $\frac{1}{8}$ | 3 $\frac{1}{8}$ |

| REFERENCE | QTY. | REMARKS | Project      |
|-----------|------|---------|--------------|
|           |      |         | Location     |
|           |      |         | Architect    |
|           |      |         | Engineer     |
|           |      |         | Contractor   |
|           |      |         | Submitted by |
|           |      |         | Date         |

\* All models and material specifications are subject to change or withdrawal without notice.