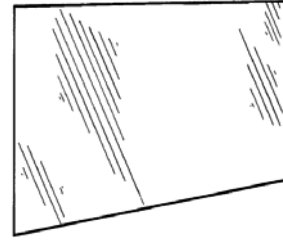


PEM2424 Wall Mirror



FEATURES/TYPICAL SPECIFICATIONS

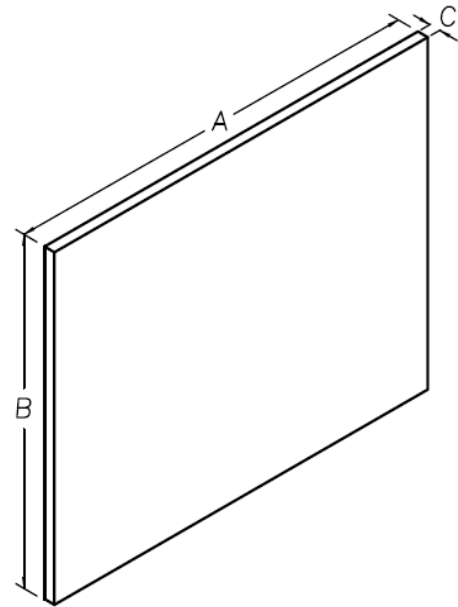
- Surface Mount Installation
- 3/16" thick float glass mirror with polished edge, 4 sides
- Mounting hardware that includes plastic mirror hangers (6 typical) and mounting screws (6 typical)
- Pallet quantity = 20 units

Finishes:

Housing: N/A

Mirror: POL1-Polished Edge

Frame: Frameless



		Dimensions In Inches		
Model #	Description	A	B	C
PEM2424	WALL MIRROR 24X24 FMLS	24	24	3/16

REFERENCE	QTY.	REMARKS	Project
			Location
			Architect
			Engineer
			Contractor
			Submitted by Date

* All models and material specifications are subject to change or withdrawal without notice.