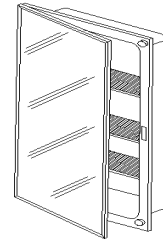


# B7733 HORIZON MEDICINE CABINET

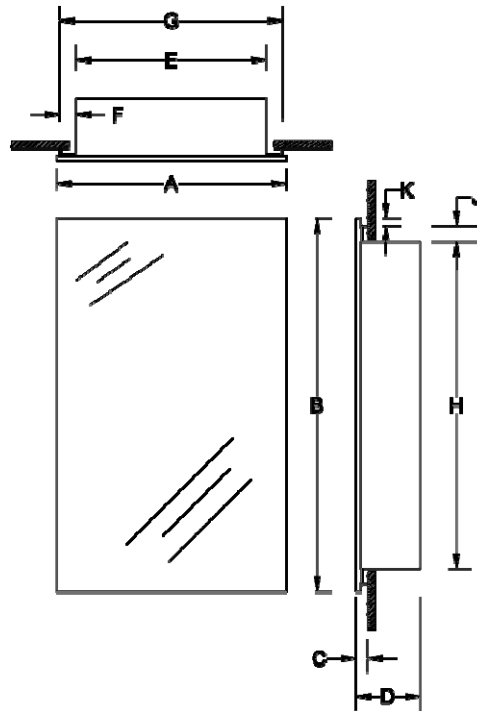


For Recess Installation  
Frameless Polished Mirror Swing Door

## SPECIFICATIONS

### FEATURES

- Recess Mount Installation  
Recommended Wall Opening Dimensions:  
14" W x 23-3/4" H x 3" D
- 16" x 26" x 1/8" Float Glass Mirror with Polished Edges attached to door exterior
- Molded White Plastic Body
- 26GA Steel Door Back with White Powder Coat Paint Finish
- 16" Piano Hinge Welded to the Door and Attached to the Cabinet Body with Screws
- Reversible for Right or Left Hand Swing
- 3 Adjustable Plastic Shelves
- Fully Assembled for Quick Installation
- Includes Mounting Hardware



Model Number	DIMENSIONS IN INCHES*									
	A	B	C	D	E	F	G	H	J	K
B7733	16	26	1-1/8	3-3/4	13-1/2	1	15-1/2	23-1/4	1	3/8

\* Dimensional specifications are subject to minor changes with final design.

REFERENCE	QTY.	REMARKS	Project
			Location
			Architect
			Engineer
			Contractor
			Submitted by
			Date

S905\_B7733